



KETTLES

TILT-OUT AGITATOR TILTING KETTLE MODEL DL-80/INA/2

CapKold tilting steam jacketed kettle with tilt out agitator model DL-80, INA/2. 50 PSI maximum jacket pressure, 2" flush mounted ball valve with 2" triclover fitting and variable speed agitator drive.



PROJECT NAME:	
LOCATION:	
ITEM NO:	
QTY:	
MODEL NO:	
AIA NO:	
SIS NO:	
CSI SECTION:	11400

STANDARD FEATURES:

- Hemispherical bottom jacket is designed for operation up to 50 PSI maximum pressure and built to ASME code and National Board registered. Kettle will operate dependably at any steam pressures between 15 PSI and 50 PSI.
- Capacities are working output gallons
- Tilting kettle with tilt out agitator greater than 90° with hand crank worm gear tilting mechanism
- Type 316 stainless steel inner hemisphere and all wetted parts, type 304 elsewhere
- Interior and exterior of kettle finished to a No. 4 Sanitary Finish
- Spiral baffle within jacket for more efficient circulation of cooling water
- 2" flush mounted ball valve w/2" triclover connection
- Stainless steel pedestals with stainless steel legs and adjustable stainless steel floor mounting flanges
- 3/4" rim-mounted, swing spout water fill faucet
- Manufactured to latest sanitary standards and HACCP compliant
- Recommend 50-75 PSI (min) steam for optimal cooking
- Single or dual kettle control panel required to operate (See Spec CKCP)
- Single or dual kettle control panel required to operate (Consult factory for specifications)
- NSF listed

AGITATOR DESIGN:

- Fixed inclined entry type
- Easily removable agitator and breaker bar
- Replaceable nylon edge scraping blades contact heat exchange surface
- Variable speed gear motor drive
- Heavy duty T.E.F.C. motor

CONTROL SYSTEMS:

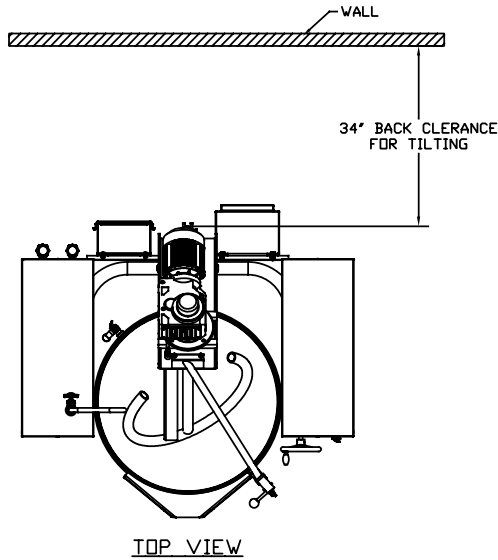
- Bridge mounted temperature sensor
- Emergency stop switch mounted near kettle rim
- Kettle control valves prepiped and contained within pedestals

OPTIONS/ACCESSORIES:

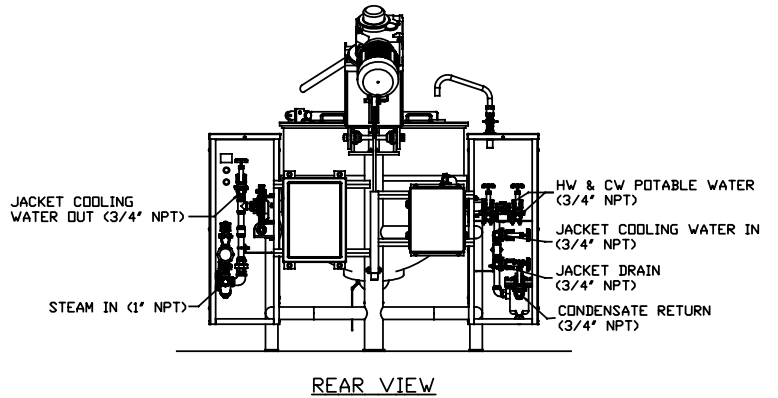
- 3" manual ball valve with 90° elbow
- Lip Strainer
- Prison package
- 2 piece hinged cover

ADDITIONAL RESOURCES:

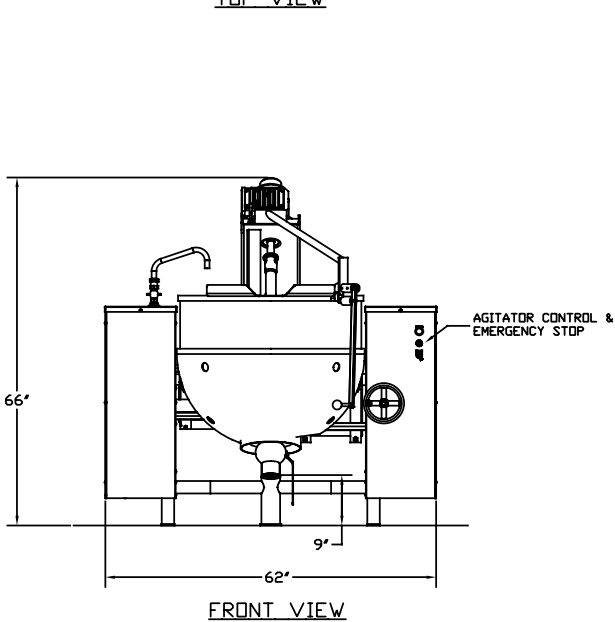
- [Request A Quote](#)
- [Sales Tools](#)
- [Find A Rep](#)



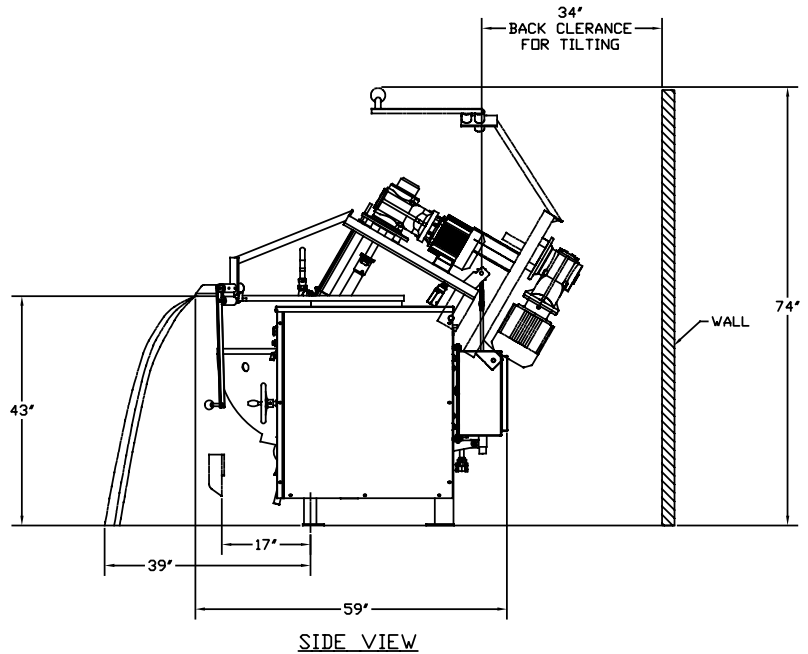
TOP VIEW



REAR VIEW



FRONT VIEW



SIDE VIEW

MODEL	AGITATOR MOTOR DATA SPECIFICATIONS				ELECTRICAL LOAD RATINGS		
	HORSE POWER	RPM MAIN	RPM SECONDARY	208V 3 PHASE	240V 3 PHASE	480V 3 PHASE	
DL-80/INA	MAXIMUM	2	46	120	6.8 AMPS	6.0 AMPS	3.0 AMPS
	MINIMUM	1	23	60	4.7 AMPS	4.0 AMPS	2.0 AMPS

177498 RevC