



# PUMP/FILL STATIONS

## LOW-MID VOLUME PUMP STATION MODELS CKPP

CapKold model CKPP 16-160 oz portioning pump, single piston, and is air operated to facilitate transfer of product from kettle to food container. Unit has easily adjustable volume control by use of hand wheel with reference counter. Optional smaller cylinder sets are available. Unit provided with casters to accommodate movement and storage. 6' of intake hose with tri-clover connection to kettle and vertical stainless steel discharge standard.

### AVAILABLE MODELS:

- CKPP-64
- CKPP-160

### STANDARD FEATURES:

- All Stainless steel piston pump
- Caster mounted
- All air actuated – no power required
- Manufactured to the latest sanitary standards and HACCP compliant
- Foot pedal operation for depositing
- Speed control variable with pressure regulator
- High temperature 6' long, 2" diameter suction hose
- 16 oz – 64 oz piston and cylinder set adjustable via a stroke adjust hand wheel with reference counter for easy set up
- 1.25" vertical stainless steel positive cut-off spout assembly with rigid 1.25" discharge line

### CONTROL PACKAGE:

- Air operated foot switch operates metered product delivery

PROJECT NAME:	
LOCATION:	
ITEM NO:	
QTY:	
MODEL NO:	
AIA NO:	
SIS NO:	
CSI SECTION:	11400



### OPTIONS/ACCESSORIES:

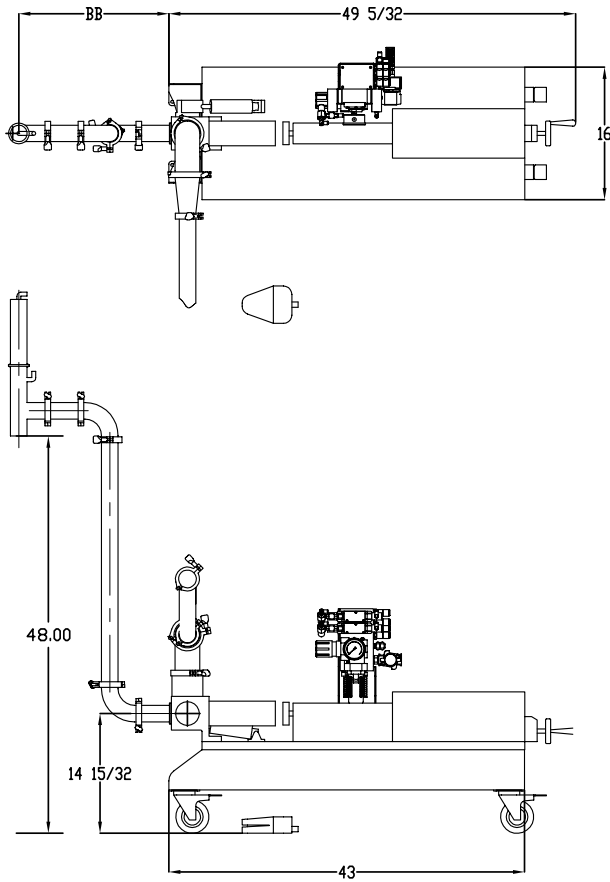
- Spare Parts Kit
- Table Top Manual Clipper
- Table Top Air Actuated Clipper
- Table Top Heat Sealer (requires 120V)
- 4-16 oz Piston Set
- 8-32 oz Piston Set
- 16-64 oz Piston Set
- 40-160 oz Piston Set

### ADDITIONAL RESOURCES:

[Request A Quote](#)

[Sales Tools](#)

[Find A Rep](#)



ITEM NO.	EQUIPMENT PROVIDED BY GROEN CAPKOLD	QTY
1	CKPP-64 PORTIONING PUMP	1
2	1.5' SPOUT, VERT. POSITIVE CUT-OFF	1
3	FOOT SWITCH, AIR	1

NOTES:	
ALL DIMENSIONS ARE FOR REFERENCE ONLY.	
MAXIMUM PRODUCT TEMPERATURE 208 deg F.	
PRODUCT DOES NOT CONTAIN PARTICULATES.	
AIR REQUIRED: 16 SCFM @ 90 PSI MAXIMUM ALLOWABLE PRESSURE DROP: 10 PSI FOR A RATE OF 30 CYCLES/MINUTE	
A	DEPOSITOR INCLUDES 16-64 oz. PISTON & CYLINDER SET
B	SPOUT INCLUDES 2' RIGID DISCHARGE LINE
C	2" DIA HOT HOSE x 6 FT LONG, TO CONNECT TO CUSTOMER'S COOKING KETTLE, INCLUDES TRI-CLAMPS AND GASKETS



LEGEND	
CUSTOMER TO PROVIDE:	
	AIR DROP: 1/2' MNPT

