



KETTLES

NON TILT-OUT AGITATOR KETTLE MODELS EE/INA2

Kettle shall be a Groen Model EE/INA (specify 80 or 100 gallons) stainless steel, self-contained, steam jacketed agitating kettle operating from an electric heated steam source contained within unit.



PROJECT NAME:	
LOCATION:	
ITEM NO:	
QTY:	
MODEL NO:	
AIA NO:	
SIS NO:	
CSI SECTION:	11400

AVAILABLE MODELS:

- EE/INA2-80 (80 GALLON)
- EE/INA2-100 (100 GALLON)

CONSTRUCTION: Kettle interior shall be of type 316 stainless steel, with solid one-piece construction. All exposed surfaces shall be stainless steel. All controls shall be contained within front control enclosure. Kettle body is sheathed in stainless steel and insulated using an air gap. Unit provided with three adjustable legs for leveling. Faucet mounting bracket is standard.

FINISH: Interior of kettle shall be polished to a 180 emery grit finish. Exterior shall be finished to a uniform #3 satin finish ensuring maximum ease in cleaning and maintaining appearance.

ASME CODE: Unit shall be ASME shop inspected, stamped and registered with the National Board for operation up to a maximum working pressure of 30 PSI.

SANITATION: Unit shall be designed and constructed to meet NSF requirements and be NSF listed.

DRAWOFF VALVE: Unit shall have a 2" sanitary tangent drawoff which is made of 316 stainless steel. Valve has durable insulated handle, rubber compression sealing disk and is easy to disassemble without tools. The drain outlet shall be equipped with a removable 1/4" perforated stainless steel strainer. Unit standard with a sanitary 2" or 3" ball valve.

AGITATOR DESIGN:

- Inclined, easily removable agitator and breaker bar, with removable nylon edge scraping blades which scrape entire heat exchange surface
- Variable speed gear motor drive with 7-36 rpm operating range
- Heavy duty T.E.F.C. motor

CONTROLS: All controls shall be contained in a stainless steel enclosure within easy reach of the operator. Controls include a thermostat, pilot light, pressure/vacuum gauge, contactor, water level sight glass, safety valve and low water cut-off.

PERFORMANCE FEATURES: Unit shall be thermostatically controlled to automatically shut off when desired temperature is reached and turn on when product temperature drops below desired setting. Outer sheathing and air gap insulation retain heat and keep kettle exterior cool to the touch.

SELF-CONTAINED STEAM SOURCE: Kettle shall have an electric, self-contained steam source to provide kettle temperatures from 150 to approximately 270°F. Unit shall be factory charged with chemically-pure water and rust inhibitors to ensure long life and minimum maintenance.

INSTALLATION: Unit requires single electrical connection. Specify 208, 240, or 480 Volt, three phase, 50 or 60 HZ. 20 and 40 gallon models available in single phase.

OPTIONS/ACCESSORIES:

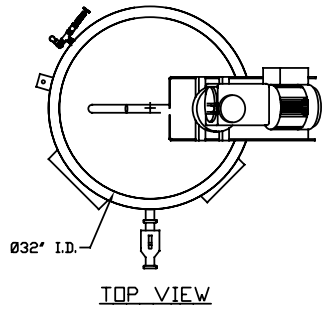
- Water Fill Faucets
- Other Supply Voltages
- Kettle Brush Kit
- Gallon Etch Marks
- Tri-Clover Flange Fitting
- Specify Agitation Position

ADDITIONAL RESOURCES:

- [Request A Quote](#)
- [Sales Tools](#)
- [Find A Rep](#)

SERVICE CONNECTIONS & NOTES:

- ① ELECTRICAL SUPPLY: 1/2" CONDUIT

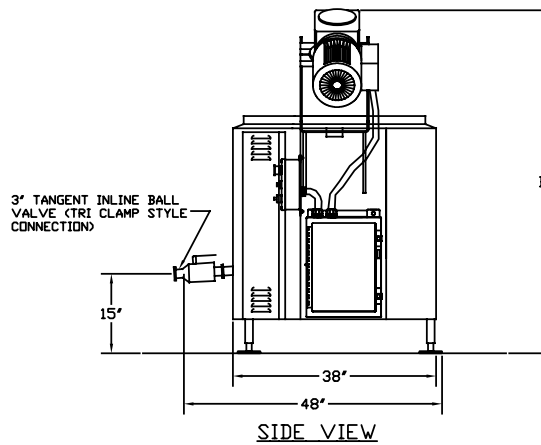
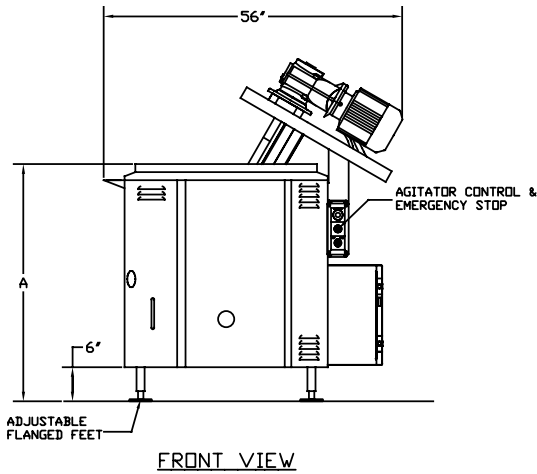


AGITATOR MOTOR RATING		
VOLTAGE	PHASE	AMPS
208	1	20
ALL UNITS 60Hz		

KETTLE MODEL	ELECTRICAL TABLE					
	208V/3PH		240V/3PH		480V/3PH	
	KW	AMP	KW	AMP	KW	AMP
EE-80	32.4	90	36	87	36	44
EE-100	32.4	90	36	87	36	44

PHYSICAL DIMENSIONS		
MODEL	DIM "A"	DIM "B"
EE/INA/2-80	44"	64"
EE/INA/2-100	50"	70"

RECOMMENDED CLEARANCES		
RIGHT	LEFT	REAR
12"	12"	12"



182268 RevA