



SMARTSTEAM PRO

BOILERLESS STEAMER ELECTRIC MODEL GSSP-BLE-5E/ES

Stainless steel, boilerless convection steamer with a self-contained atmospheric 12 KW electric steam generating 2.5-gallon reservoir. ENERGY STAR®



PROJECT NAME:	
LOCATION:	
ITEM NO:	
QTY:	
MODEL NO:	
AIA NO:	
SIS NO:	
CSI SECTION:	

SHORT FORM SPEC: Shall be a Groen SmartSteam Pro model GSSP-BLE-5E/ES boilerless electric convection steamer (_____volt, _____phase). Rear-panel vents. The GSSP-BLE-5E is a counter top steamer and the GSSP-BLE-5ES comes fully assembled from the factory on a stainless steel stand. Water-resistant touchscreen control with self-diagnostics and programmable features. Capacity to be (5) 12"x20"x2-1/2" hotel pans. Dual water connection per cavity, auto fill and drain, mirrored interior, side-mounted convection fan. 2.5-gallon water reservoir protected by removable steam lid for easy cleaning and increased steam recovery. Slammable, field-reversible, hands-free stainless steel door latch. Standard 1-year parts and labor warranty with additional 1-year warranty upon completion of scheduled free Groen startup. 5-year cavity warranty.

AVAILABLE MODELS:

- GSSP-BLE-5E (table top)
- GSSP-BLE-5ES (stand-mounted)

CONSTRUCTION:

- Stainless steel construction with removable non-louvered side panels
- Rear-panel vents for decreased water/spray ingress
- Stainless steel field-reversible door with continuous hinge and single-piece replaceable seal
- Hands-free door latch provides positive closure when pushed or slammed shut
- Hidden door switch cuts power to blower fan and steam generating reservoir when door is opened
- Pan support racks are stainless steel and easily removed for cleaning
- Removable stainless steel condensate tray located under cavity door
- 5-year cavity warranty
- ASA component control (fan, valve, etc.) allows visibility of component operation on screen
- USB port for service use and firmware updates
- 5-day storage of error code history

FINISH: Cabinet exterior and door feature a #3 uniform finish. Cavity interior is polished stainless steel with mirrored finish.

UL & CUL LISTING: Steamer is UL and cUL listed.

SANITATION: NSF Listed. Designed and manufactured to meet all known health codes.

CONTROLS:

- Water resistant, user-friendly touch screen
- Self diagnostics
- User selected or automatic holding feature after timed cook completes
- 10 nameable pan timers
- Door open alert
- Clock

- Programmable delime schedule with simple on-screen walk-through and notifications
- "+1 minute" button quickly adds to cook time
- User optional load compensating timer

PERFORMANCE FEATURES:

- Powerful, side-mounted blower increases steam velocity for efficient distribution throughout cavity and between loaded pans
- 2.4 KW of electric power input per 2-1/2" deep steam pan
- Removable steam lid increases recovery times and aids in ease of cleaning
- Typical heat up is zero to ready in 15 minutes or less
- Cavity maintains warmth and ready status for instant steam between loads
- ENERGY STAR®

ATMOSPHERIC STEAM RESERVOIR:

- High-efficiency electric-heated steam generating reservoir provides atmospheric steam to the cavity at a temperature of approximately 212°F
- Built-in water sensing system
- Electric heating elements are not immersed in water and are replaceable from the rear

PAN CAPACITY:

Pan Size/Type	Total
12 x 20 x 1"	10
12 x 20 x 2-1/2"	5
12 x 20 x 4"	3

INSTALLATION: Steamer requires 208, 240, or 480 Volt, 3-phase electrical service. Each cavity has (2) 3/4" NH cold water supply line connections and a single 1-1/2" free venting drain connection. All units ship three-phase, and are field convertible to single-phase operation.

CONTINUED ON BACK...

OPTIONS/ACCESSORIES:

- Prison Package
- Stainless Steel Stand
- Pan Rack Kit for Stand
- Flanged Foot Kit for Stand
- Caster Kit for Stand
- 4" Adjustable Legs (GSSP-BLE-5E only)
- Heat Shield Kit (field installed)
- Water Treatment Systems
- Water Treatment Replacement Cartridges
- 1-Year Warranty Extension

ADDITIONAL RESOURCES:

- [Request A Quote](#)
- [Sales Tools](#)
- [Find A Rep](#)

WATER QUALITY REQUIREMENTS:

Containment
Water Supply

pH
7 to 9

Total Dissolved Solids (TDS)
30 to 60 ppm

Hardness
less than 60 ppm

Chlorine and Chloramine
less than .1 ppm

Chlorides
less than 30 ppm

Silica
less than 12 ppm

Undissolved Solids
less than 5 microns

In order to accurately choose the correct water treatment solution, a water quality test has to be performed. If a "Free Start-up" is requested, the ASA will perform a water quality test and Groen will be able to suggest the best solution for your water quality. If a "Free Start-Up" was not requested prior to installation, then your local manufacturing representative can coordinate this for you.

After the "Free Start-up" is performed, Groen will add an additional 1-year parts and labor warranty. If Groen suggests a water treatment system, the system is purchased from Groen, installed and maintained, water related service issues will be covered for the duration of the warranty period.

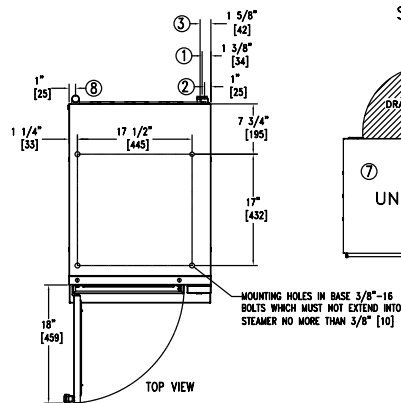
SERVICE CONNECTIONS & NOTES:

- ① DRAIN CONNECTIONS: 1 1/2" [38] TUBE FREE VENTING DO NOT CONNECT DIRECTLY TO DRAIN. ALLOW 2" AIR GAP
- ② WATER SUPPLY: (2) 3/4" [19] MALE HOSE CONNECTION. 30-60 PSIG WITH A FLOW RATE OF 1.50 GPM. ONE EACH MAIN & CONDESATE, PRESSURE REGULATOR REQUIRED FOR WATER PRESSURE OVER 60 PSI
- ③ ELECTRICAL CONNECTION: SEE CHART CONDUIT HOLE SIZE: 1-1/4" [32] HOLE

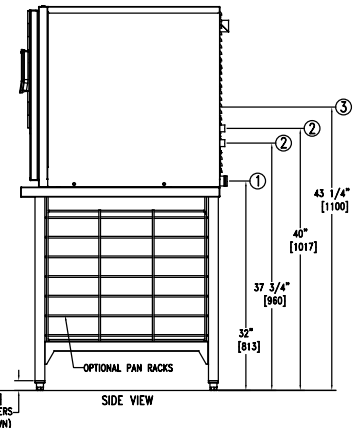
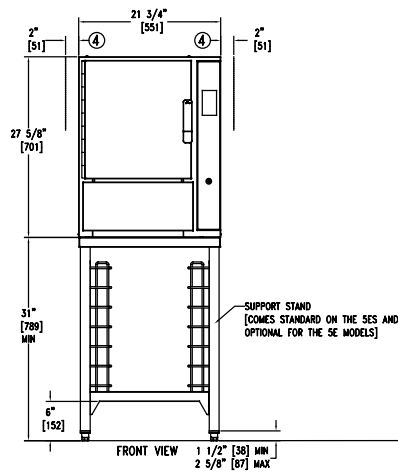
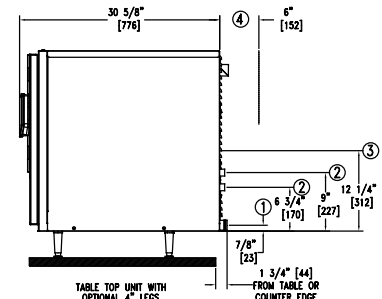
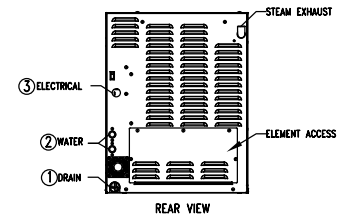
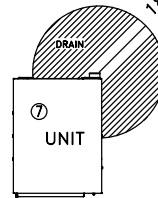
- ④ CLEARANCES:
EACH SIDE = 2" [51]
REAR = 6" [152]
- ⑤ DIMENSIONS IN BRACKETS [] ARE MM.
- ⑥ STEAM FREE ZONE: STEAMERS FLOOR DRAIN NOT TO BE LOCATED WITHIN ZONE. ALTERNATE EQUIPMENT THAT DRAIN CAUSING STEAM NOT TO BE DRAINED IN STEAM FREE ZONE
- ⑦ DO NOT INSTALL STEAMER DIRECTLY ABOVE STEAM VENTING FLOOR DRAINS
- ⑧ STEAM EXHAUST

ELECTRICAL REQUIREMENTS			
VOLTAGE	PHASE	AMPS	MAX. KW
208	1	58	12
	3	34	12
240	1	50	12
	3	29	12
480	3	15	12

ALL UNITS 60Hz



STEAM FREE ZONE
SEE NOTES ⑥



GSSP-BLE-5E/ES 182836 REV. A