



SERVING STATIONS

DROP-IN WATERLESS HOT WELL MODELS EHI

Electric operated, stainless steel drop-in hot food well unit w/ individual die-stamped 12" x 20" top openings, individual thermostatically controlled sealed food wells. Controls mounted on separate pre-wired s/s control panel. Unit is totally pre-wired to junction box for single-point field connection.

SHORT FORM SPEC: Drop-in waterless hot food well unit with individual die-stamped 12" x 20" top openings, electrically heated sealed food wells with or without drain(s). Separate pre-wired s/s control panel houses individual thermostatic controls. Unit is totally pre-wired to junction box for single-point field connection. UL Listed, NSF.

AVAILABLE MODELS:

Note: xxx represents voltage; 120, 208, 240

- EHI-1-xxx
- EHI-2-xxx
- EHI-3-xxx
- EHI-4-xxx
- EHI-5-xxx
- EHI-6-xxx

STANDARD FEATURES:

- Individual thermostatic controls for precise food temperatures
- Die stamped, raised sanitary rim pan openings in stainless steel top
- Available for 120V, 208V, or 240 volt operation
- Available with or without drains

UNIT TOP: Top to be one piece 18 gauge stainless steel. Top openings to be die-stamped with raised perimeter rims.

FOOD WELLS: Units fitted with compliment of 12" x 20" x 6 1/2" deep, electrically heated, sealed food wells, and are individually and thermostatically controlled. Unit prewired to controls, mounted on separate stainless steel panel.
Note: If optional drains & manifold are ordered, common gate is provided installed.

UNIT BODY: Fully insulated exterior body of corrosion resistant steel.

CONTROLS: Thermostatic controls (prewired to junction box) mounted on separate stainless steel panel for field installation in counter front. Each control has a lighted on/off power indicator. Connections to heating elements to be located outside of heated zone to avoid wiring deterioration.



| | |
|---------------|-------|
| PROJECT NAME: | |
| LOCATION: | |
| ITEM NO: | |
| QTY: | |
| MODEL NO: | |
| AIA NO: | |
| SIS NO: | |
| CSI SECTION: | 11400 |



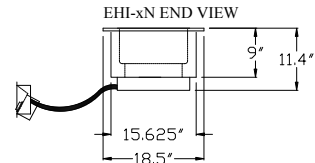
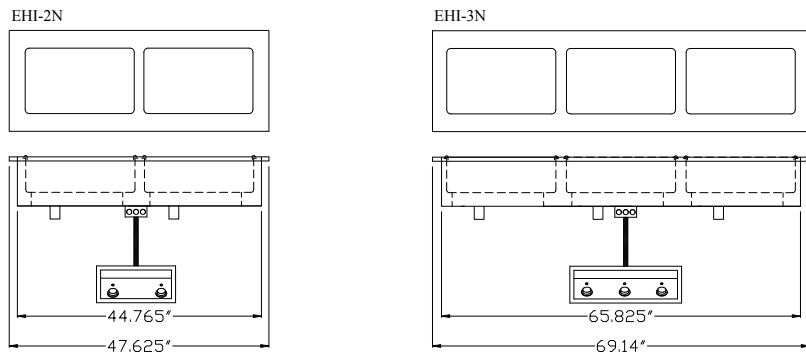
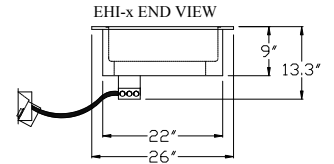
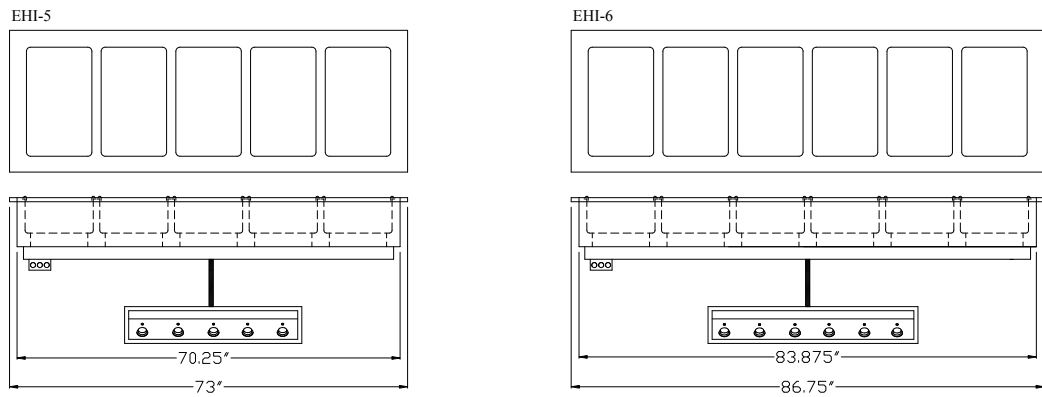
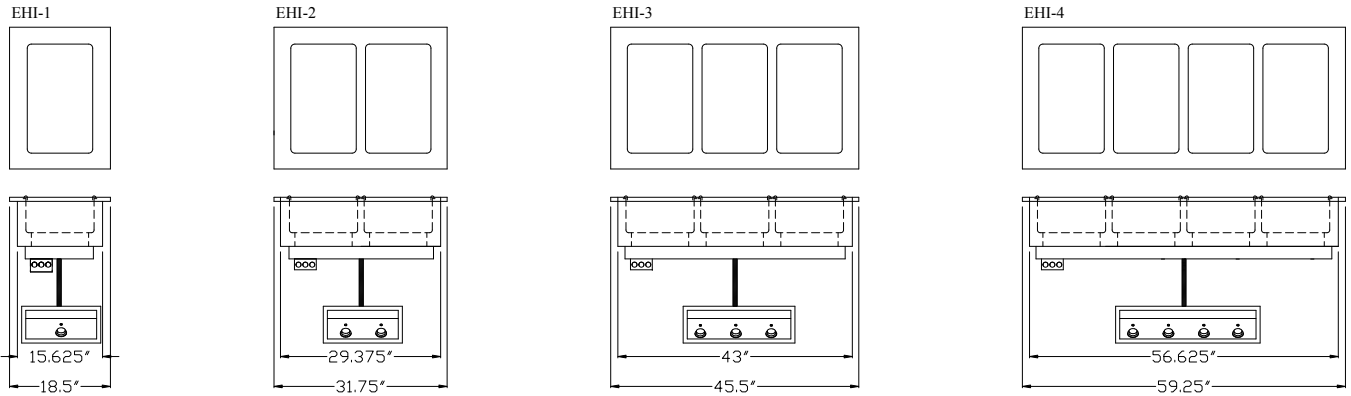
EHI-4 Shown

OPTIONS/ACCESSORIES:

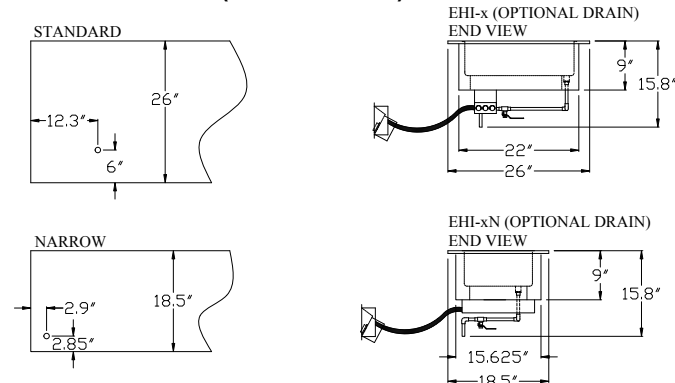
- Adaptor Bars
- Extended Thermostatic Lead
- Drains with Manifold to Common Valve (for wet use and/or to aid in cleaning)

ADDITIONAL RESOURCES:

- [Request A Quote](#)
- [Sales Tools](#)
- [Find A Rep](#)
- [KCL AutoCAD/Revit](#)



DRAIN VALVE LOCATION (DRAINS OPTIONAL)



| MODELS* | L | D | PAN CAPACITY 12" X 20" | UNIT CUTOUT SIZE | CONTROL PANEL CUTOUT SIZE | AMPS 120V / 500W | AMPS 208V / 500W | AMPS 240V / 666W | SHIP WT. |
|------------|--------|-------|---------------------------|-------------------|------------------------------|---------------------|---------------------|---------------------|----------|
| EHI-1-xxx | 18.5" | 26" | 1 | 16.125" x 22.5" | 14.25" x 5.75" x 6" | 4.17 | 2.40 | 2.78 | 60 |
| EHI-2-xxx | 31.75" | 26" | 2 | 29.875" x 22.5" | 14.25" x 5.75" x 6" | 8.33 | 4.81 | 5.55 | 100 |
| EHI-3-xxx | 45.5" | 26" | 3 | 43.5" x 22.5" | 20" x 5.75" x 6" | 12.50 | 7.21 | 8.33 | 140 |
| EHI-4-xxx | 59.25" | 26" | 4 | 57.125" x 22.5" | 26" x 5.75" x 6" | 16.67 | 9.62 | 11.10 | 180 |
| EHI-5-xxx | 73" | 26" | 5 | 70.75" x 22.5" | 32" x 5.75" x 6" | 20.83 | 12.02 | 13.88 | 220 |
| EHI-6-xxx | 86.75" | 26" | 6 | 84.375" x 22.5" | 38" x 5.75" x 6" | 25.00 | 14.42 | 16.65 | 260 |
| EHI-2N-xxx | 47.6" | 18.5" | 2 | 45.264" x 16.125" | 14.25" x 5.75" x 6" | 8.33 | 4.81 | 5.55 | 100 |
| EHI-3N-xxx | 69.2" | 18.5" | 3 | 66.327" x 16.125" | 20" x 5.75" x 6" | 12.50 | 7.21 | 8.33 | 140 |

Power supply requires hard wiring to "J" box. *Note: xxx represents voltage; 120, 208, 240