



# ACCESSORIES

## COMPRESSED AIR SYSTEM MODEL CKAC

CapKold air compressor, designed to provide sufficient volume of clean, high pressure compressed air at 90 PSIG, necessary for all air powered or air activated equipment and components in the CapKold cook-chill production kitchen.

PROJECT NAME:	
LOCATION:	
ITEM NO:	
QTY:	
MODEL NO:	
AIA NO:	
SIS NO:	
CSI SECTION:	11400



### AVAILABLE MODELS:

- 183506 - G2 3HP 53 GALLON TANK 208/240V13PH 9.8 CFM
- 183507 - G2 3HP 53 GALLON TANK 240V11PH 9.8 CFM
- 183508 - G4 5HP 53 GALLON TANK 208/240V13PH 18 CFM
- 183509 - G4 5HP 53 GALLON TANK 240V11PH 18 CFM
- 183510 - G5 7.5HP 53 GALLON TANK 208/240V13PH 26.1 CFM
- 183511 - G5 7.5HP 53 GALLON TANK 240V11PH 26.1 CFM
- 183512 - G7 10HP 53 GALLON TANK 208/240V13PH 34.1 CFM
- 183513 - G7L 10HP 120 GALLON TANK 208/240V13PH 34.3 CFM

### SIZING GUIDE:

Review proposed equipment package and note those components that utilize compressed air. Multiply flow rate by the number of units, then total the far right column for maximum SCFM total required.

System Component	Flow Rate	X No./Units	= subtotal
Kettle 3" Air Valve	1 scfm		
CKPF/3 Pump/Fill	10 scfm		
CVE Clipper	8 scfm		
CVW Clipper	8 scfm		
Batch Tumble Chiller	1 scfm		
CKTC/CT 50 or 100	1 scfm		
CKCT-5, 10 or 20	1 scfm		
Other:	scfm		
<b>Total All Components Specified</b>			

- If CKPF/3 Pump/Fill (with clipper) and additional Model CVE or CVW vacuum clipper will not be used simultaneously, 8 SCFM may be deducted from total air
- If multiple kettles with air valves are specified, typically only one will require air during product transfer using the CKPF/3 Pump/Fill

### OPERATIONAL BENEFITS:

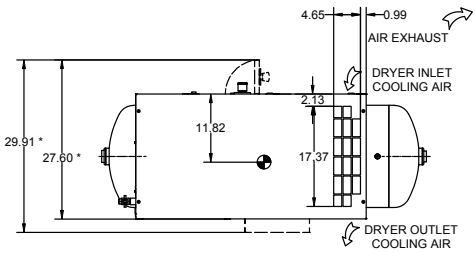
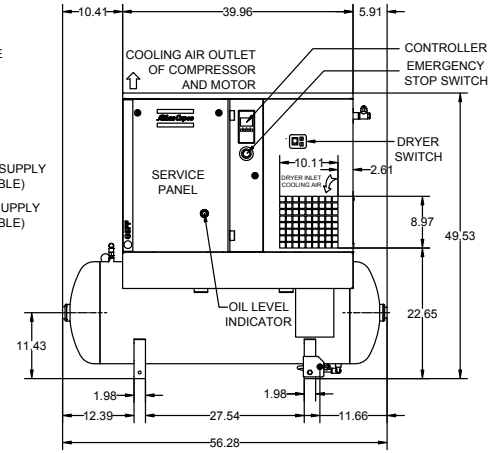
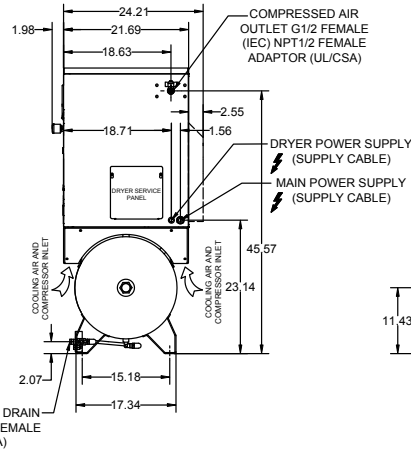
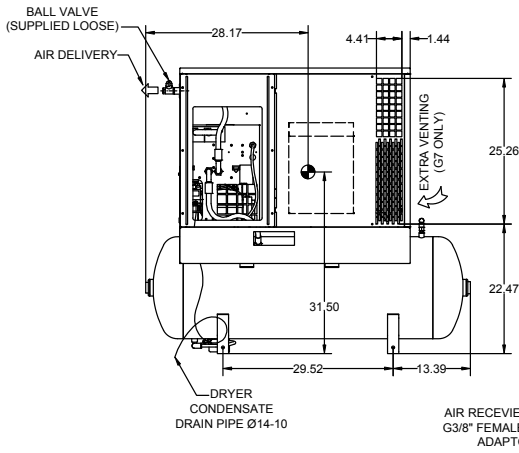
- IE3 Premium-efficiency motor to keep operational costs low.
- Noise levels as low as 61 dB(A) to allow installation close to point of use.
- Designed and built for continuous use. No cool down periods.
- Fully integrated refrigerated air dryer to ensure dry, clean air in a minimal footprint.
- Base controller provides easy, intuitive control. Service indications and visual alerts safeguard performance and reliability.
- Will operate dependably in ambient temperatures up to 115°F.


### STANDARD FEATURES:

- Inlet air filter
- TEFC motor
- Differential pressure oil system with oil cooler
- Air/oil separator
- Oil filter
- Two pressure variant offerings: 116 psi and 145 psi
- Factory oil fill
- Microprocessor controlled
- Full voltage motor starter mounted and pre-wired
- Emergency stop button
- CSA/UL approved control cubicle
- UL/CSA approved integrated refrigerated air dryer
- Aftercooler
- Dew point gauge
- Electronic compressor drain valve

### OPTIONS/ACCESSORIES:

- 183514 - Filter System G2 Air Compressor 1/2" NPT
- 183515 - Filter System G4 G5 G7 Air Compressor 1/2" NPT
- Field Conversation To 480V 3PH



NOTES:  
 - CENTER OF GRAVITY  
 - CUBICLE DOOR FULLY OPEN

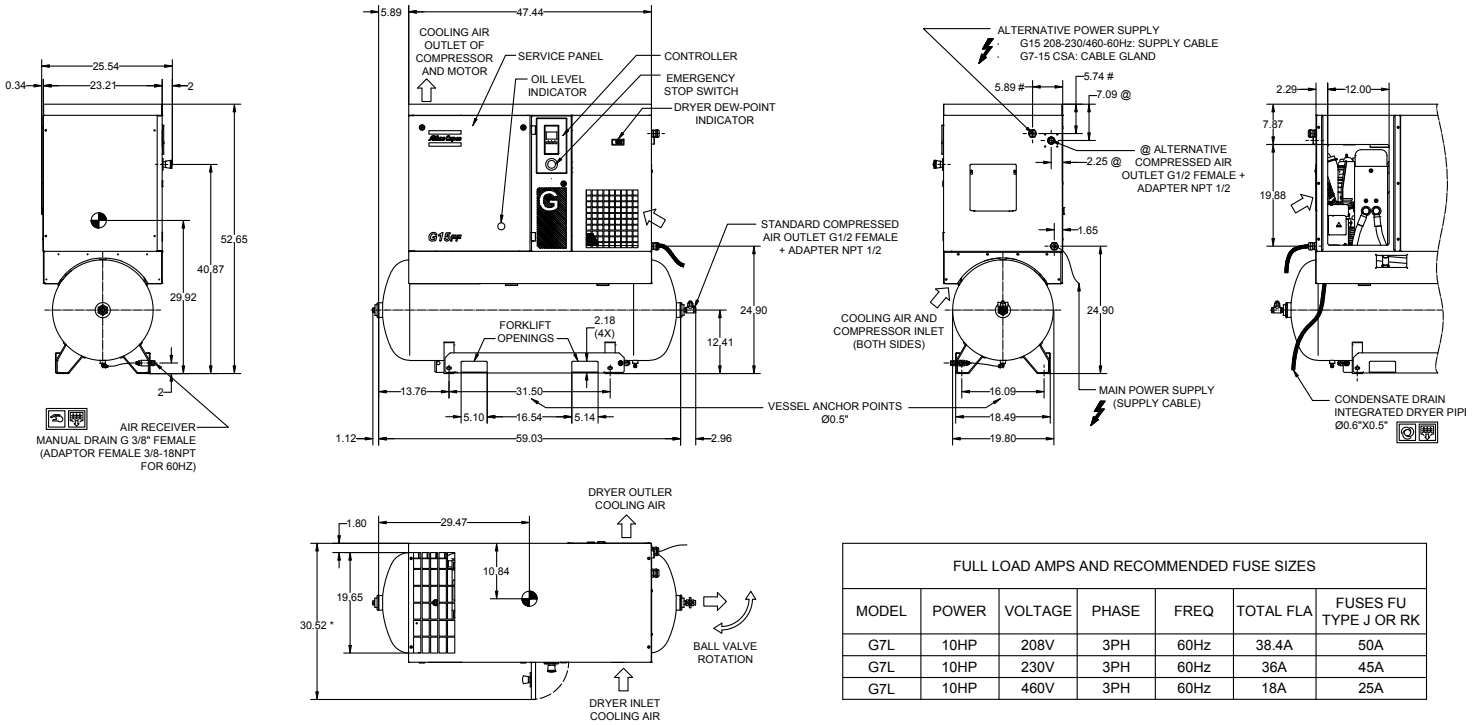
FULL LOAD AMPS AND RECOMMENDED FUSE SIZES (COMPRESSOR)

MODEL	POWER	VOLTAGE	PHASE	FREQ	TOTAL FLA	FUSES FU TYPE J OR RK
G2	3HP	230V	1PH	60Hz	18.5A	25A
G2	3HP	208V	3PH	60Hz	12.5A	15A
G2	3HP	230V	3PH	60Hz	11A	12A
G2	3HP	460V	3PH	60Hz	5.5A	7A
G4	5HP	230V	1PH	60Hz	30A	40A
G4	5HP	208V	3PH	60Hz	19A	25A
G4	5HP	230V	3PH	60Hz	17A	25A
G4	5HP	460V	3PH	60Hz	8.5A	12A
G5	7.5HP	230V	1PH	60Hz	35A	45A
G5	7.5HP	208V	3PH	60Hz	26A	30A
G5	7.5HP	230V	3PH	60Hz	17A	30A
G5	7.5HP	460V	3PH	60Hz	8.5A	15A
G7	10HP	208V	3PH	60Hz	36A	45A
G7	10HP	230V	3PH	60Hz	32.5A	45A
G7	10HP	460V	3PH	60Hz	16A	25A

FULL LOAD AMPS AND RECOMMENDED FUSE SIZES (INTERGRATED DRYER)

MODEL	VOLTAGE	FREQ	TOTAL FLA	FUSES FU TYPE CC	FUSES FU TYPE J OR RK
G2	115V	60Hz	3.4A	10A	5.6A
G4	115V	60Hz	3.4A	10A	5.6A
G5	115V	60Hz	3.4A	10A	5.6A
G7	115V	60Hz	5.9A	15A	10A

\* INTEGRATED DRYER REQUIRES SEPARATE 115V ELECTRICAL FOR SUPPLY



NOTES:  
 ● - CENTER OF GRAVITY  
 + - CUBICLE DOOR FULLY OPEN  
 # - UL/CSA VARIANTS  
 @ - OPTION DDx/PDx FILTER

FULL LOAD AMPS AND RECOMMENDED FUSE SIZES						
MODEL	POWER	VOLTAGE	PHASE	FREQ	TOTAL FLA	FUSES FU TYPE J OR RK
G7L	10HP	208V	3PH	60Hz	38.4A	50A
G7L	10HP	230V	3PH	60Hz	36A	45A
G7L	10HP	460V	3PH	60Hz	18A	25A